

# LT-3900 LED RGB Controller

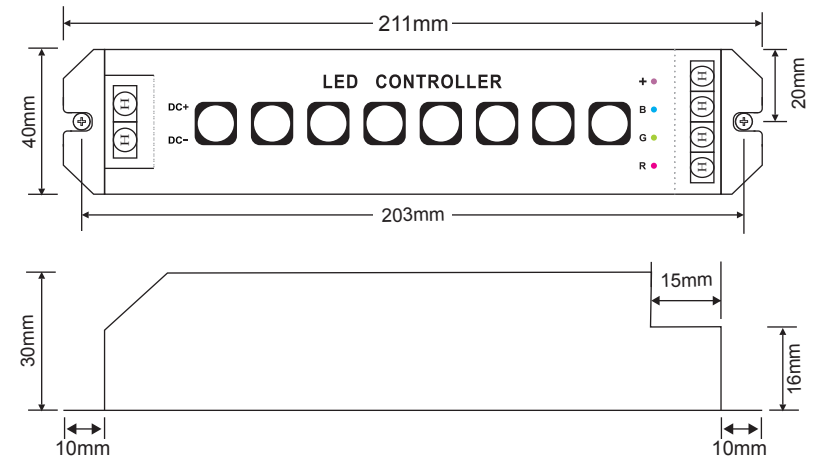


LT-3900 is a multi-functional RGB controller, built-in 32 modes, adopts advanced PWM (Pulse-Width Modulation) control technique, smooth changing effect, without flicker. Adopting hi-power MOS driver, RGB 3 channels output and total current up to 18A; With unique touch technique, the controller has 8 touch buttons, which are used for choosing ON/OFF, PAUSE, MODE+/-, SPEED+/-, BRT+/- . It can automatically adapt to DC5-24V input, suitable for most conventional RGB LED products, such as LED strips, LED modules, etc. and all low-power RGB LED lights whose current is limited by resistors can be controlled.

## 1. Technical Specs:

LT-3900	
Power Supply Chosen	CV LED Power Supply
Input Voltage	DC5V~DC24V
Max. Load Current	6A/CH x3CHs
Max. Load Power	90W/216W/432W(5V/12V/24V)
Grey Scale	256 Steps per RGB
Working Temperature	-30 ~55
Product Size	L211×W40×H30(mm)
Packing Size	L215×W43×H32(mm)
Weight (G.W.)	180g

## 2. Product Size:



## 3. Detailed Key Functions:

There are 8 function keys on the controller.

ON/OFF \ PAUSE MODE+ MODE- SPEED+ \ SPEED- BRT+ BRT- \

Sign	Button	Description
	ON/OFF	• Turn on/off the LED light.
	PAUSE	• Press the key to rest at current color, it will continue to change if press again. • Press in 3 seconds, the buzzer can be on or off.
	MODE+ MODE-	• Press the keys to select the change modes. • Press MODE+ over 3 seconds to enter cycle mode automatically. • Press MODE- over 3 seconds to enter DIY cycle mode automatically.
	SPEED+ SPEED-	• Press the keys to quicken or slower speed. • Press SPEED+ over 3 seconds, all speed change is restored to default status. • Press SPEED- over 3 seconds, the current speed change is restored to default status.
	BRT+ BRT-	• Press the keys to increase or decrease brightness. • Press BRT+ over 3 seconds, all brightness modes is restored to default status(the brightest). • Press BRT- over 3 seconds, the current brightness modes is restored to default status(the brightest).

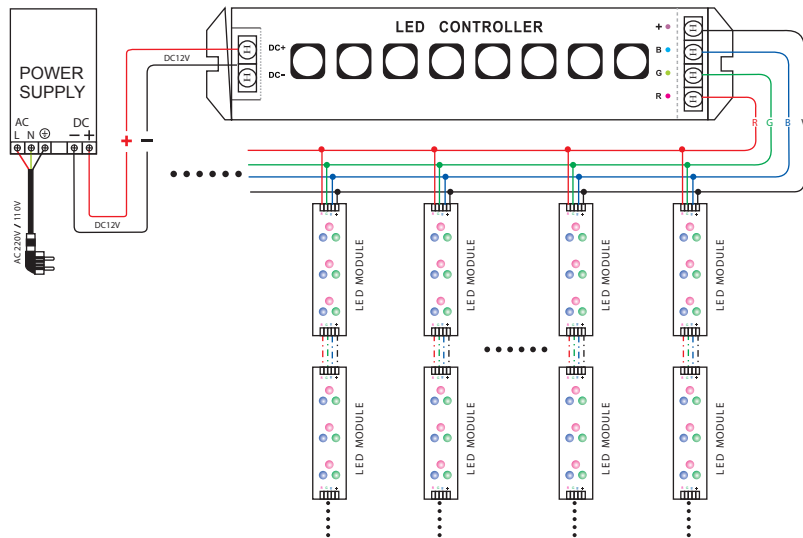
#### 4. Tables of Changing Mode:

No.	Mode	No.	Mode
1	Static Red	17	Cyan Fade out and Fade in
2	Static Green	18	White Fade out and Fade in
3	Static Blue	19	RGB Fade out and Fade in
4	Static Yellow	20	Red Green Color Smooth
5	Static Purple	21	Red Blue Color Smooth
6	Static Cyan	22	Green Blue Color Smooth
7	Static White	23	Red Yellow Color Smooth
8	RGB Skipping	24	Green Cyan Color Smooth
9	7 Colors Skipping	25	Blue purple Color Smooth
10	White Strobe	26	Green Yellow Color Smooth
11	7 Colors Strobe	27	Blue Cyan Color Smooth
12	Red Fade out and Fade in	28	Red Purple Color Smooth
13	Green Fade out and Fade in	29	Blue White Color Smooth
14	Blue Fade out and Fade in	30	Yellow Purple Cyan Color Smooth
15	Yellow Fade out and Fade in	31	RGB Color Smooth
16	Purple Fade out and Fade in	32	Full-color Smooth

Description: Speed/Brightness Adjustable

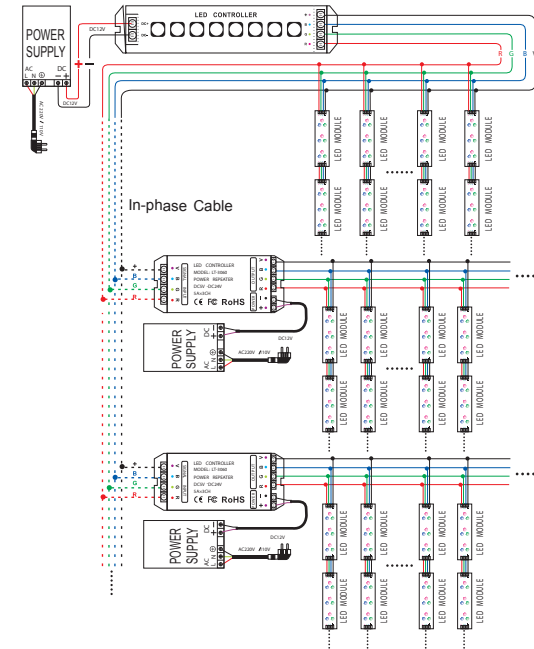
#### 5. Conjunction Diagram:

Connected to LED Module as an Example



Power Repeater Can be Added to Expand Power.

Take RGB module for example, power repeaters are paralleled on the output cable of controller.



#### 6. Attention:

1. The product shall be installed and serviced by a qualified person.
2. This product is non-waterproof. Please avoid the sun and rain. When installed outdoors please ensure it is mounted in a water proof enclosure.
3. Good heat dissipation will prolong the working life of the controller. Please ensure good ventilation.
4. Please check if the output voltage of any LED power supplies used comply with the working voltage of the product.
5. Please ensure that adequate sized cable is used from the controller to the LED lights to carry the current. Please also ensure that the cable is secured tightly in the connector.
6. Ensure all wire connections and polarities are correct before applying power to avoid any damages to the LED lights.
7. If a fault occurs please return the product to your supplier. Do not attempt to fix this product by yourself.

#### 7. Warranty Agreement:

1. We provide lifelong technical assistance with this product:
    - A 3-year warranty is given from the date of purchase. The warranty is for free repair or replacement and covers manufacturing faults only.
    - For faults beyond the 3-year warranty we reserve the right to charge for time and parts.
  2. Warranty exclusions below:
    - Any man-made damages caused from improper operation, or connecting to excess voltage and overloading.
    - The product appears to have excessive physical damage.
    - Damage due to natural disasters and force majeure.
    - Warranty label, fragile label and unique barcode label have been damaged.
    - The product has been replaced by a brand new product.
  3. Repair or replacement as provided under this warranty is the exclusive remedy to the customer. LTECH shall not be liable for any incidental or consequential damages for breach of any stipulation in this warranty.
  4. Any amendment or adjustment to this warranty must be approved in writing by LTECH only.
- ★ This manual only applies to this model. LTECH reserves the right to make changes without prior notice.